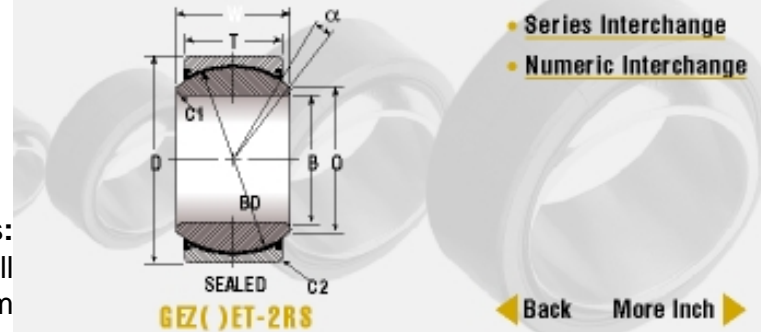




request a quote

Spherical Plain Bearings:

- ◀ inch series
- metric series
- interchange tables
- engineering

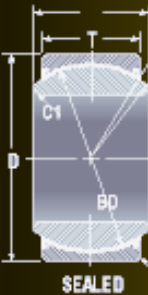


Features:

- Hard chrome plated ball
- Teflon® liner system

LOAD SERIES SELF-LUBRICATING INCH SEALED

Ball Bore Diam. B			Part No RFQ per item	Outside Diam (1) D		Ball Width W		Race Width T		Ball Diam BD	Tilt Angle α Deg	Shldr Diam O	Shaft Fillet C1 Max	Hsng Fillet C2 Max	Radial Loads (2)	
Frac	Nom	Tol		Nom	Tol	Nom	Tol	Nom	Tol						Ref	Ref
			With Seals													
3/4	.750	-.0005	GEZ19ET-2RS	1.2500	-.0005	.656	-.005	.562	-.005	1.080	6	.823	.011	.039	20,927	10,465
1	1.000	-.0005	GEZ25ET-2RS	1.6250	-.0005	.875	-.005	.750	-.005	1.437	6	1.083	.011	.039	37,359	18,680
1 1/4	1.250	-.0005	GEZ31ET-2RS	2.0000	-.0005	1.093	-.005	.937	-.005	1.795	6	1.370	.023	.039	58,507	29,030
1 3/8	1.375	-.0005	GEZ34ET-2RS	2.1875	-.0006	1.187	-.005	1.031	-.005	1.937	5	1.500	.023	.039	69,756	35,120
1 1/2	1.500	-.0005	GEZ38ET-2RS	2.4375	-.0006	1.312	-.005	1.125	-.005	2.155	6	1.630	.023	.039	84,379	41,860
1 3/4	1.750	-.0005	GEZ44ET-2RS	2.8125	-.0006	1.531	-.005	1.312	-.005	2.515	6	1.909	.023	.039	114,752	57,380
2	2.000	-.0005	GEZ50ET-2RS	3.1875	-.0006	1.750	-.005	1.500	-.005	2.875	6	2.169	.023	.039	150,754	75,380
2 1/4	2.250	-.0006	GEZ57ET-2RS	3.5625	-.0008	1.969	-.005	1.687	-.005	3.235	6	2.429	.023	.039	191,251	95,630
2 1/2	2.500	-.0006	GEZ63ET-2RS	3.9375	-.0008	2.187	-.005	1.875	-.005	3.590	6	2.689	.023	.039	234,007	117,010
2 3/4	2.750	-.0006	GEZ69ET-2RS	4.3750	-.0008	2.406	-.005	2.062	-.005	3.950	6	2.949	.023	.039	285,752	141,755
3	3.000	-.0006	GEZ76ET-2RS	4.7500	-.0008	2.625	-.005	2.250	-.005	4.312	6	3.205	.023	.039	337,506	168,755
3 1/4	3.250	-.0008	GEZ82ET-2RS	5.1250	-.0010	2.844	-.005	2.437	-.005	4.675	6	3.465	.023	.039	396,009	198,010
3 1/2	3.500	-.0008	GEZ88ET-2RS	5.5000	-.0010	3.062	-.005	2.625	-.005	5.040	6	3.724	.023	.039	459,001	229,550
3 3/4	3.750	-.0008	GEZ95ET-2RS	5.8750	-.0010	3.281	-.005	2.812	-.005	5.390	6	3.984	.023	.039	531,004	265,550
4	4.000	-.0008	GEZ101ET-2RS	6.2500	-.0010	3.500	-.005	3.000	-.005	5.750	6	4.252	.023	.039	596,256	301,550
4 1/2	4.500	-.0008	GEZ114ET-2RS	7.0000	-.0010	3.937	-.005	3.375	-.005	6.475	6	4.823	.039	.043	765,002	382,510
4 3/4	4.750	-.0008	GEZ120ET-2RS	7.3750	-.0012	4.156	-.005	3.562	-.005	6.825	6	5.079	.039	.043	843,754	427,510
5	5.000	-.0010	GEZ127ET-2RS	7.7500	-.0012	4.375	-.005	3.750	-.005	7.190	6	5.335	.039	.043	933,755	468,050
6	6.000	-.0010	GEZ152ET-2RS	8.7500	.0012	4.750	-.005	4.125	-.005	8.156	5	6.339	.039	.043	1,170,002	585,050
			With Seals													
Frac	Nom	Tol		Nom	Tol	Nom	Tol	Nom	Tol	Ref	Deg	Ref	Max	Max	Static	Dyn



Ball Bore Diam. B	Part No RFQ per item	Outside Diam (1) D	Ball Width W	Race Width T	Ball Diam BD	Tilt Angle α	Shldr Diam O	Shaft Fillet C1	Hsng Fillet C2	Radial Loads (2)
-------------------------	-------------------------	--------------------------	--------------------	--------------------	--------------------	---------------------------	--------------------	-----------------------	----------------------	---------------------

- (1) All tolerances in this catalog are before the outer races are fractured and before application of dry film lubricant
- (2) Ultimate loads for the bearings in this catalog are approximately 1.5 times the catalog load ratings

GENERAL SERIES INTERCHANGE • SELF-LUBRICATING INCH SEALED

LOAD SERIES INCH		NATIONAL	R.B.C.	SKF	TORRINGTON	ELGES	IKO
Self Lubricating	Sealed	GEZ () ET-2RS	B () -LFSS	GEZ () TE-2RS	() SFL ()	-	-

- For numeric bore size conversion between manufacturers see numerical interchange table.



NATIONAL PRECISION BEARING GROUP
of Mechatronics, Inc.

Phone: 800-426-8038 • 425-222-5900 • Fax: 888-448-1153 • 425-222-5950
E-mail: sales@nationalprecision.com

[Purchase Order Terms and Conditions](#)
[Sales Order Terms and Conditions](#)

Copyright © 2008, National Precision Bearing, Inc.

